

Original BMW Accessories.

Installation Instructions.



iPod Interface Retrofit

BMW 5 Series (E60, E61)

BMW 6 Series (E63, E64)

These installation instructions are only valid for cars without SA 672 (CD changer) or SA 694 (CD changer preparation).

Retrofit kit No.	65 41 0 403 650	iPod interface retrofit kit (US)
	65 41 0 412 881	iPod interface retrofit kit

Installation time

The installation time is approx. 1.0 hours, but may vary depending on the condition of the car and the equipment in it.

In general the car must be upgraded to the latest I stage status by flashing before starting the work. Depending on the production age of the car and the work already carried out on the car, the programming times will vary, which means that we cannot quote a specific time at this point.

The installation time does not include any time for programming/encoding, as this depends on the age of the car and the equipment in it.

Important information

These installation instructions are primarily designed for use within the BMW dealership organization and by authorized BMW service companies.

In any event, the target group for these installation instructions is specialist personnel trained on BMW cars with the appropriate specialist knowledge.

All work must be completed using the latest BMW repair manuals, circuit diagrams, servicing manuals and work instructions, in a rational order, using the prescribed tools (special tools) and observing current health and safety regulations.


To avoid unnecessary extra work and/or costs, if any installation or function problem occurs, after a brief troubleshooting session (approx. 0.5 hours), please contact the following:


- 1. Either your national subsidiary or your regional office, or**
- 2. The Support team via the Aftersales Assistance Portal (ASAP), using the optional technical parts support application.**

Specify the chassis number and the part number of the installed retrofit kit and give a precise description of the problem.

Do not archive the hard copy of these installation instructions since daily updates are made by ASAP!

Pictograms

 Denotes instructions that draw your attention to special features.

 Denotes the end of the instruction or other text.

Installation information

All pictures show LHD cars; proceed accordingly on RHD cars.

Ensure that the cables/lines are not kinked or damaged as you install them in the car. Costs incurred as a result of this will not be reimbursed by BMW AG.

Additional cables/lines that you install must be secured with cable ties.

If the specified PIN chambers are occupied, bridges, double crimps or twin-lead terminals must be used.

After the installation work the retrofit must be programmed / coded using SSS (software service station) via the **Retrofit** path.

When routing fiber optic cables, make sure the bending radius is no less than 25 mm.

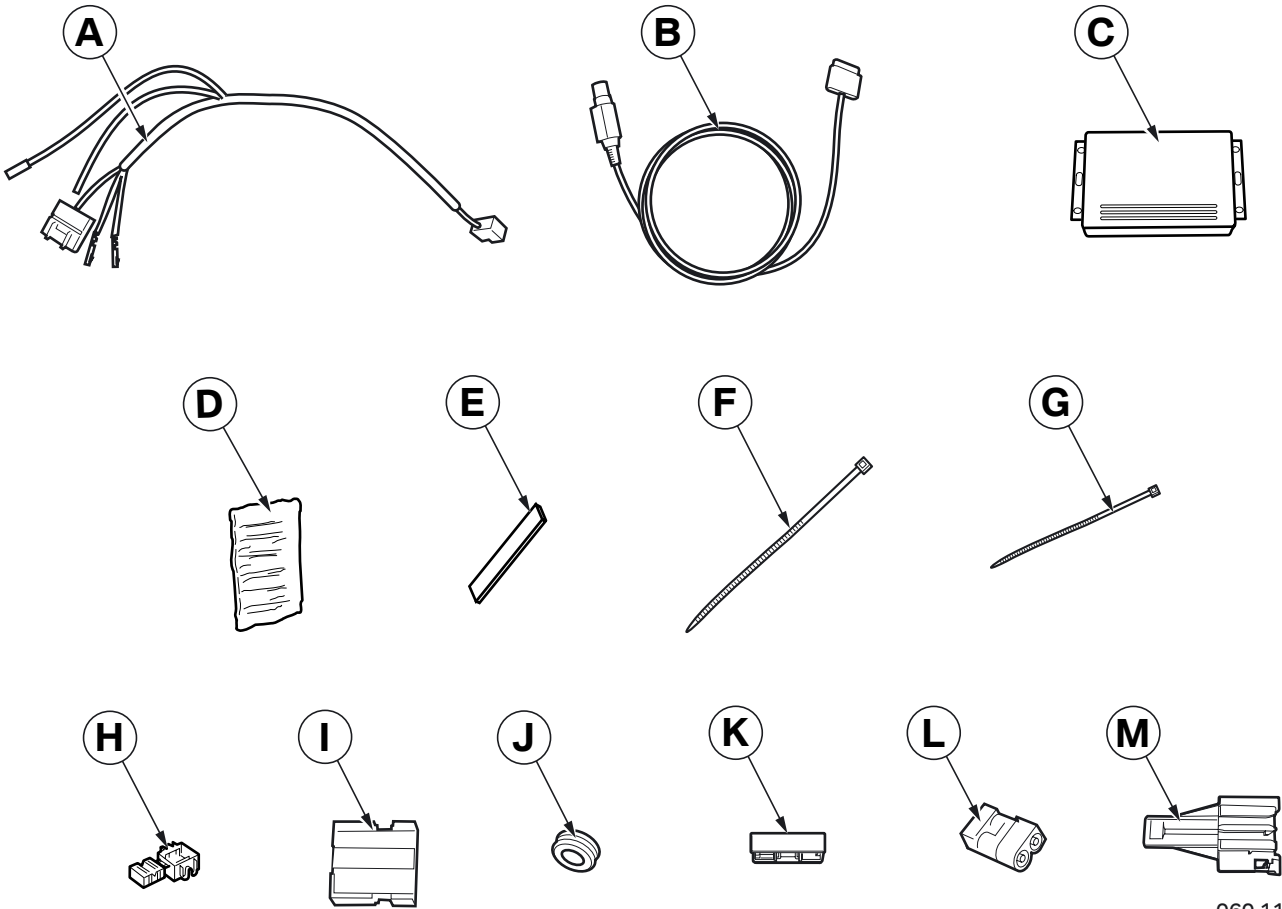
Special tools required

00 9 317 Trim wedge

Contents

Section	Page
1. Parts overview.....	4
2. Preparatory work	5
3. Connections diagram	6
4. Installation and cabling diagram.....	7
5. To install the connection cable	8
6. To connect the wiring harness	9
7. To install and connect the interface	10
8. Concluding work and coding	11
9. Circuit diagram	12

1. Parts overview



060 1191 Z

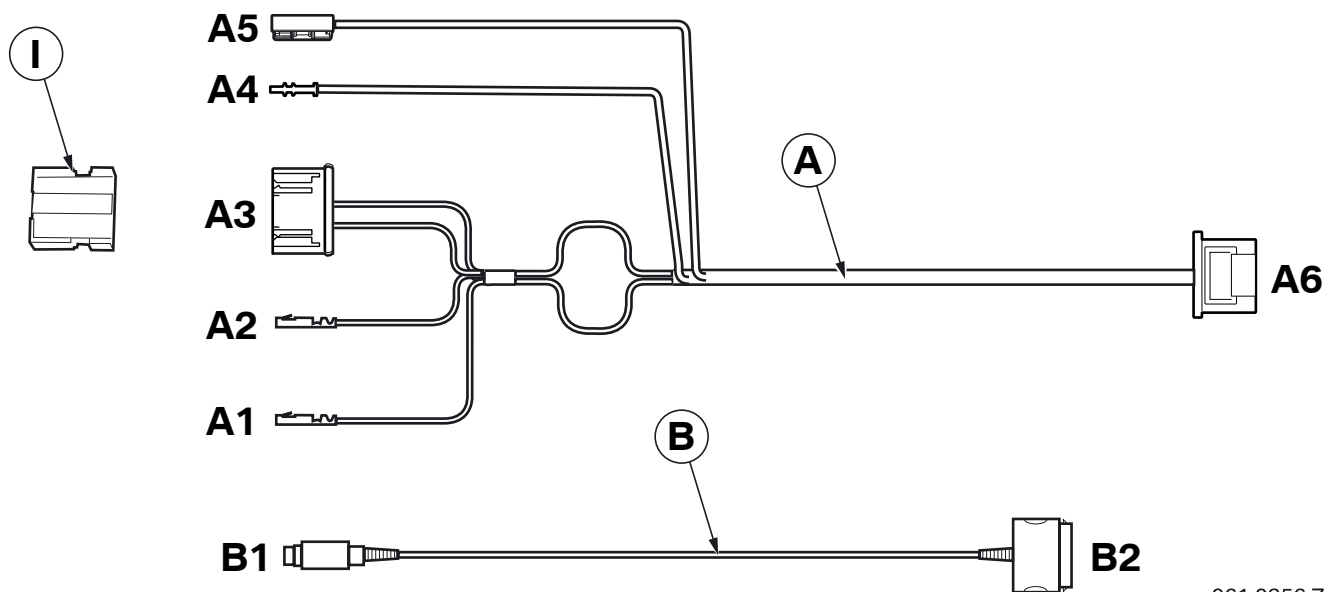
Legend

- A** Wiring harness
- B** Connection cable
- C** Interface
- D** Felt (4x)
- E** Sealing strip (4x, not required)
- F** Cable tie 445 x 4.8 mm (2x)
- G** Cable tie 200 x 3.6 mm (10x)
- H** Miniature connector (2x, not required)
- I** Black 4-pin socket casing
- J** Grommet
- K** Fiber optic cable connector (not required)
- L** Fiber optic cable casing (not required)
- M** Short circuit casing

2. Preparatory work

	TIS No.
Conduct a brief test	---
Disconnect negative pole of battery	12 00 ...
The following components must be removed first of all	
Décor trim on right of instrument panel	51 45 380
Glove compartment	51 16 360
Heating/air-conditioning control	64 11 377
Audio system controller (ASK) or Car Communication Computer (CCC)	65 12 200 65 83 010

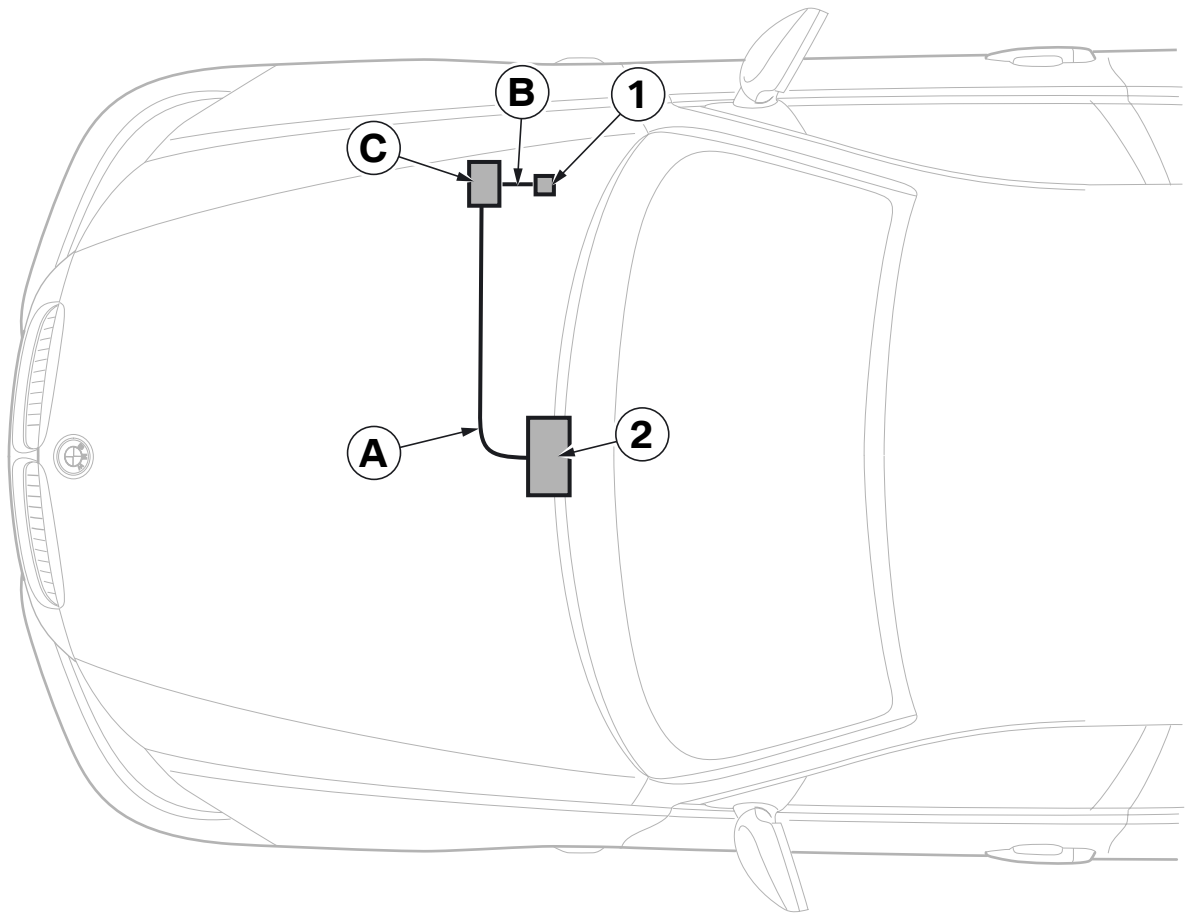
3. Connections diagram



061 0356 Z

Branch /Item	Designation	Signal	Cable color / Cross-section	Connection location in the car	Abbreviation / Slot
A	Wiring harness	---	---	---	---
A1	Socket contact	Terminal 30	RT 2.5 mm ²	On ASK or CCC	X13812 PIN 15
A2	Socket contact	Terminal 31	BR 2.5 mm ²	On ASK or CCC	X13812 PIN 12
A3	Black 4-pin plug casing	---	---	On socket casing I	---
A4	Fiber optic cable	MOST	GN	On ASK or CCC	X13815 PIN 1
A5	Fiber optic cable connector	MOST	GN	On disconnected fiber optic cable of ASK or CCC	---
A6	Black 4+2-pin socket casing	---	---	On interface C	---
B	Connection cable	---	---	---	---
B1	Black 12-pin socket casing	---	---	On interface C	---
B2	iPod connection plug	---	---	On iPod	---
I	Black 4-pin socket casing	---	---	With cables disconnected from ASK or CCC on branch A3	---

4. Installation and cabling diagram

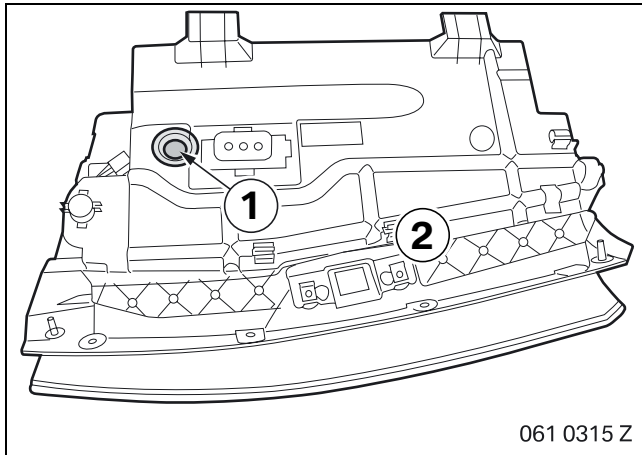


061 0318 Z

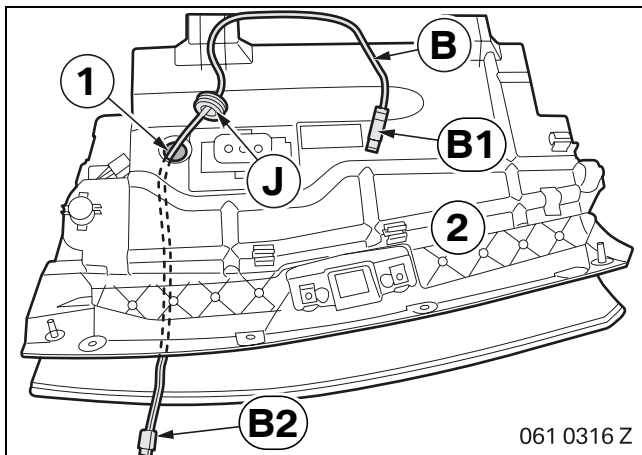
Legend

- A** Wiring harness
 - B** Connection cable
 - C** Interface
-
- 1** iPod connection plug **B2**
 - 2** ASK or CCC, plug **X13812** and **X13815**

5. To install the connection cable

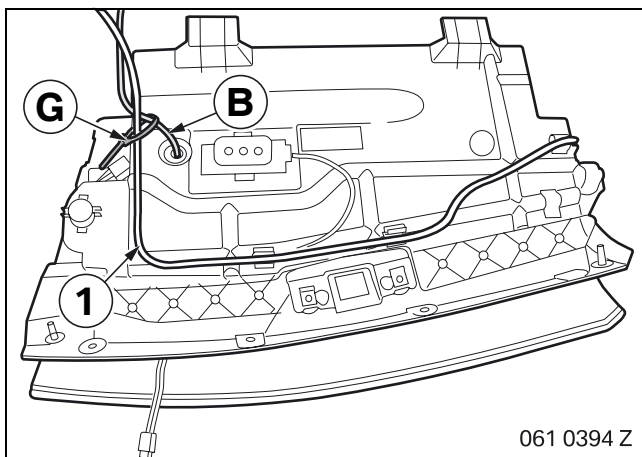


Drill through the glove compartment (2) in the middle of the marked area (1) using an 18 mm step drill bit.



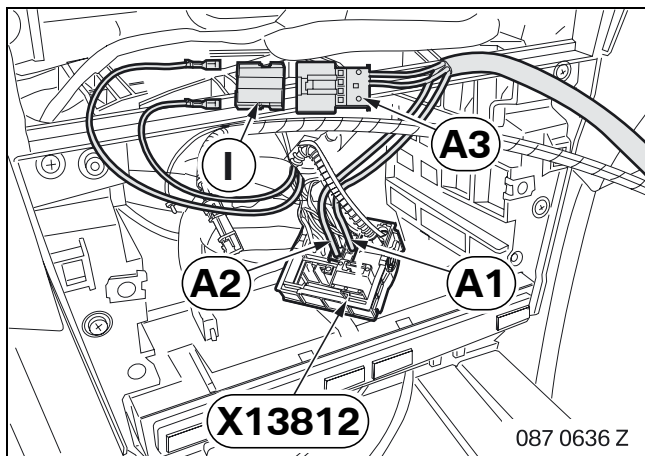
Install connection cable **B** as follows:

- Route branch **B1** through the hole (1)
- Push grommet **J** onto branch **B1** and insert it into the hole (1)
- Pull branch **B1** through grommet **J** until iPod connection plug **B2** is located just above the outside edge of the glove compartment (2)



Use cable tie **G** to secure connection cable **B** to the standard wiring harness (1) to act as strain relief.

6. To connect the wiring harness



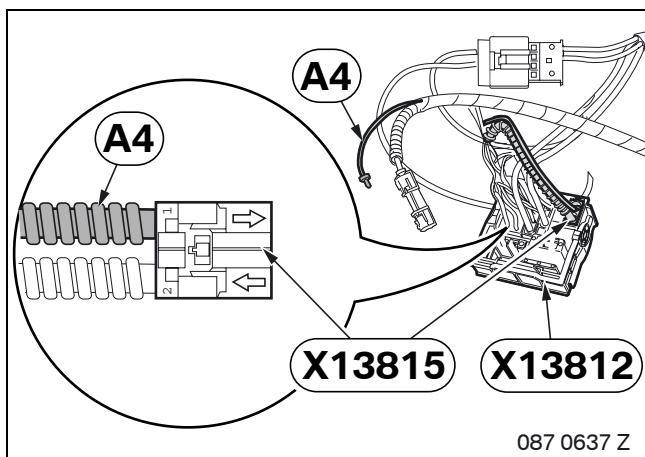
Disconnect the following cables from plug **X13812** (black 16-pin) of the ASK or CCC and connect to socket casing **I**:

- Red/brown cable from PIN 15 to socket casing **I** PIN 1
- Brown cable from PIN 12 to socket casing **I** PIN 2

Connect branches **A1** and **A2** to plug **X13812** as follows:

- Branch **A1**, red cable, to PIN 15
- Branch **A2**, brown cable, to PIN 12

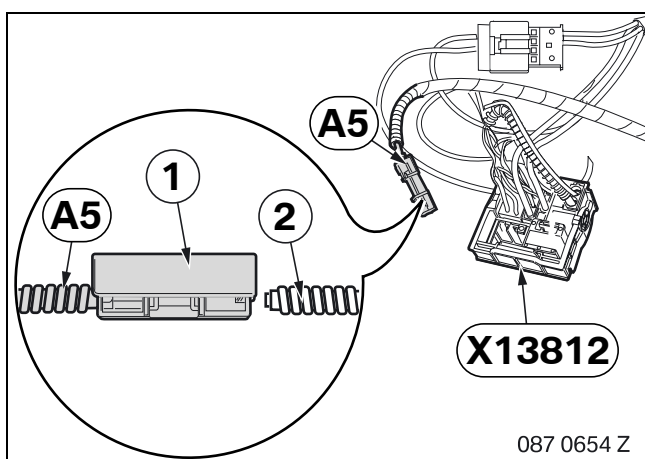
Connect branch **A3** to socket casing **I**.



Unclip fiber optic cable casing **X13815** (black 2-pin) from plug **X13812** (black 16-pin) of the ASK or CCC.

Disconnect the incoming fiber optic cable from fiber optic cable casing **X13815** PIN 1 and connect branch **A4**.

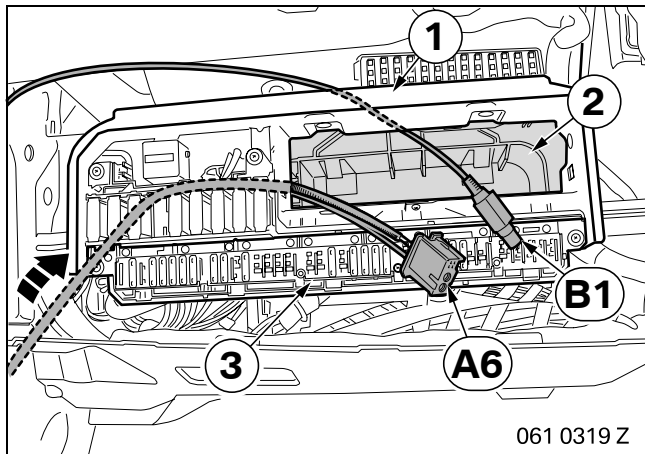
Clip fiber optic cable casing **X13815** into plug **X13812**.



Unlock the fiber optic cable connector (1) on branch **A5** and connect the disconnected fiber optic cable (2).

Connect plug **X13812** (black 16-pin) to the ASK or CCC.

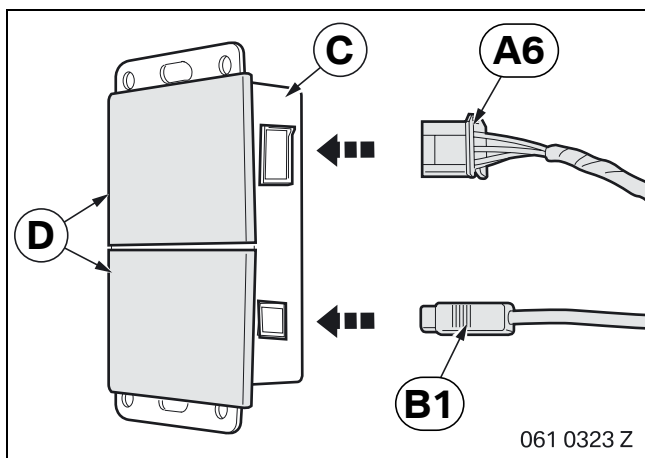
7. To install and connect the interface



▣ Branches **A6** and **B1** must be led out of the shaft (2) of the support (1) from the rear. ◀

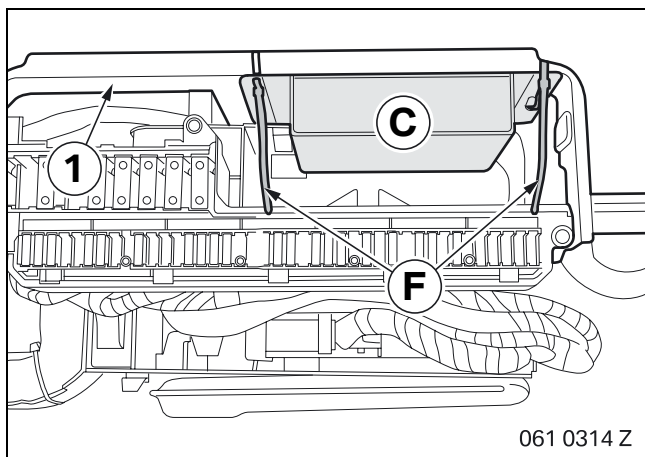
Route branch **A6** along the standard wiring harness to the fuse holder (3).

Route branch **B1** to the fuse holder (3).

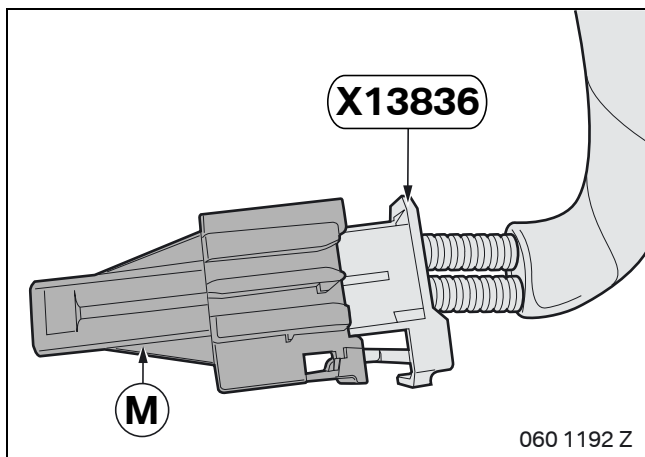


Affix felt **D** to the back of interface **C**.

Connect branches **A6** and **B1** to interface **C**.



Secure interface **C** to the support (1) using cable ties **F**.



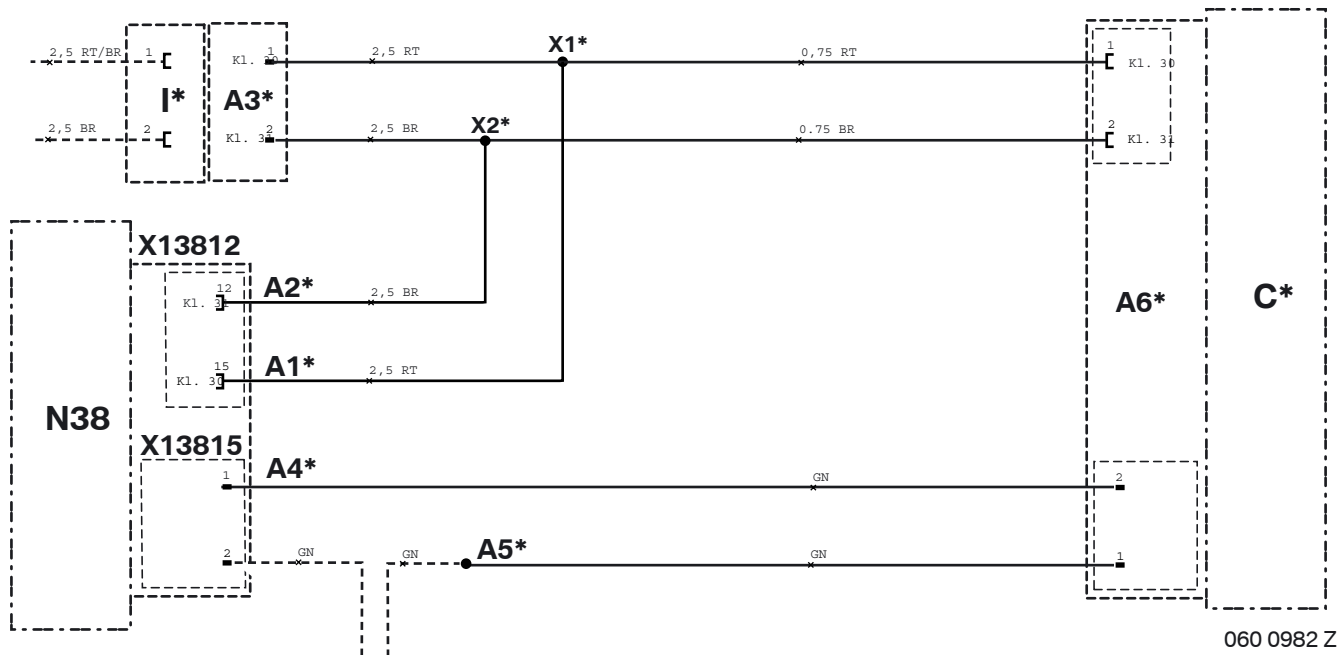
Replace flash adapter casing on fibre optic cable casing **X13836** with short circuit casing **M**.

8. Concluding work and coding

This retrofit system requires coding.

- Connect the battery
- Encode/program the retrofit with SSS (software service station) via the **Retrofit** path
- Conduct a brief test
- Conduct a function test
- Re-assemble the car

9. Circuit diagram



060 0982 Z

Legend

- A1*** Socket contact
- A2*** Socket contact
- A3*** Black 4-pin plug casing
- A4*** Fiber optic cable
- A5*** Fiber optic cable connector
- A6*** Black 4+2-pin socket casing

C* Interface

I* Black 4-pin socket casing

N38 ASK or CCC

X1* Terminal 30 connector

X2* Terminal 31 connector

X13812 Black 16-pin socket casing

X13815 Black 2-pin fiber optic cable casing

All the designations marked with an asterisk (*) apply only to these installation instructions or this circuit diagram.

Cable colors

BR	Brown	RT	Red
GN	Green	SW	Black